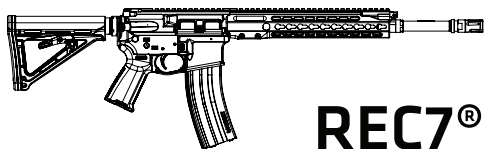


3
E
R



REC7®

OPERATOR INSTRUCTIONS



TABLE OF CONTENTS

- 2 USE OF THIS MANUAL**
- 2 SAFETY GUIDELINES**
- 4 WARRANTY AND SERVICE**
- 5 FUNCTIONS AND FEATURES**
- 6 BREAK-IN PROCEDURE**
- 6 LOADING**
- 8 FIRING**
- 8 UNLOADING AND CLEARING**
- 10 DISASSEMBLY AND ASSEMBLY**
- 11 SEPARATING THE UPPER AND LOWER ASSEMBLIES**
- 11 DISASSEMBLY OF UPPER RECEIVER COMPONENTS**
- 12 DISASSEMBLY OF BOLT CARRIER**
- 12 BOLT DISASSEMBLY**
- 13 DISASSEMBLY OF THE PISTON SYSTEM**
- 15 DISASSEMBLY OF LOWER RECEIVER**
- 16 CLEANING AND LUBRICATION**
- 18 TROUBLESHOOTING**
- 20 EXPLODED VIEW**
- 22 PARTS LIST**

USE OF THIS MANUAL

Read this manual before you use or manipulate your Barrett product. It is important that you understand the principles of safe gun handling in general and the features of this product. This manual is not a substitute for training from a qualified instructor. Important safety topics are discussed in this chapter and throughout this manual. This manual should remain with the product and it should be transferred with the product to subsequent owners. Additional manuals can be ordered from Barrett Firearms Manufacturing or can be downloaded from the company website, **barrett.net**. Technical specifications are subject to change without notice. Please ensure you have the most updated revision of this manual by checking **barrett.net**. The revision letter can be found on the back of this manual.

SAFETY GUIDELINES

⚠ WARNING ⚠
FAILURE TO FOLLOW SAFETY GUIDELINES
MAY CAUSE INJURY OR DEATH

AMMUNITION

Do not use hand loaded, re-manufactured, or surplus ammunition. Always use new, clean, dry, properly stored, and correct caliber ammunition from reputable manufacturers.

SAFETY DISTANCE

Bullets fired from this rifle may travel as far as 4 miles. Make certain that you have an adequate backstop.

HEARING PROTECTION

Always wear adequate hearing protection when the rifle is firing; wear both earplugs and shooting muffs together for maximum protection. This includes observers. Observers should always be behind the shooter.

EYE PROTECTION

Appropriate eye protection should be worn when both shooting and maintaining your rifle. It is normal for firing to generate airborne dust and debris. Protect your eyes from solvents and uncaptured parts under spring pressure while performing maintenance on your rifle.

MUZZLE CONTROL

Always keep the muzzle pointed in a safe direction. Never allow your muzzle to point at anything that you do not intend to shoot. Upon firing, the muzzle device releases high-pressure gas from its side ports that can damage objects or cause injuries, keep everything away from the vicinity of the rifle muzzle.

ASSUME EVERY GUN IS LOADED

Always treat every gun as if it were loaded. Look and feel for an empty chamber. Do not trust the extractor to provide an empty chamber.

BEWARE OF BARREL OBSTRUCTIONS

Ensure the barrel's bore is free of obstructions before you fire your rifle. Even the smallest obstruction such as a stuck patch or even grease will cause increased pressures that can rupture the barrel.

KEEP YOUR FINGER OFF THE TRIGGER

Keep your finger off the trigger and out of the trigger guard until your sights are aligned on your target and you intend to fire.

KEEP YOUR SAFETY ON

Keep your safety on until your sights are aligned on your target and you intend to fire.

FAILURE TO FIRE

If your rifle fails to fire when you pull the trigger, do not pull the bolt handle to open the action. Keep the rifle pointed toward a safe area and wait 2 minutes. If a hang-fire (slow ignition) has occurred, the round will likely fire within two minutes. If the round does not fire, remove and inspect the cartridge. If the primer is indented properly, discard it in a safe manner.

MAINTAIN YOUR RIFLE PROPERLY

Performing proper maintenance, as outlined in this manual, insures that your rifle will be safe to shoot and will perform to design specifications. Alterations, modifications or adjustments may damage your rifle, making it unsafe to fire and will void warranty claims.

STORE YOUR RIFLE SAFELY

It is your responsibility to take reasonable precaution to secure your rifle, keep it properly secured and prevent unauthorized use.

ALCOHOL, MEDICATIONS AND DRUGS

Do not handle or operate your rifle under the influence of alcohol, medication or drugs.

WARRANTY AND SERVICE

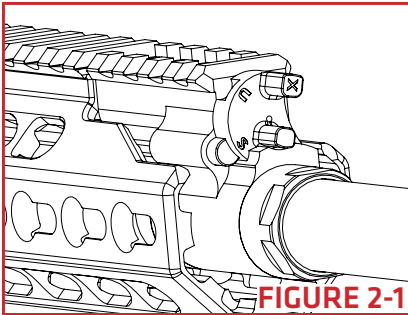
For one year from date of purchase, Barrett Firearms Manufacturing Inc. (BFMI), warrants to the original owner, that this product was manufactured free of defects in materials and workmanship. BFMI will correct any defect covered under the warranty by repair or replacement with the same or comparable model. BFMI will not be responsible for injury, death, or damage to property resulting from either intentional or accidental discharge of this firearm or from its function when used for purposes or subjected to treatment for which it was not designed. BFMI will not honor claims involving this product which result from careless or improper handling, unauthorized adjustment or parts replacement, corrosion, neglect, the use of the wrong caliber ammunition, or the use of other than commercially manufactured ammunition in good condition, or any combination thereof. Please visit **barrett.net** for any additional information.

If you need factory service, whether made under warranty or not, please contact BFMI for instructions on how to have your rifle repaired.

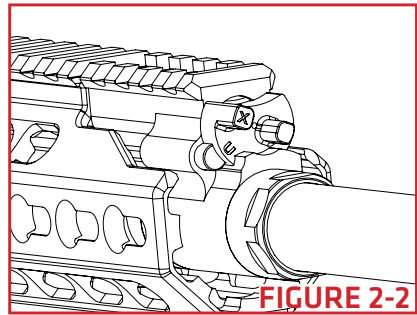
Barrett Firearms Manufacturing Inc.
P.O. Box 1077
Murfreesboro, TN 37133-1077
615-896-293

FUNCTIONS AND FEATURES

- The REC7 is a lightweight, semi-automatic, magazine-fed, air cooled rifle with a rotating bolt actuated by a short-stroke gas-piston.
- User-selected accessories may be mounted on Mil-Std 1913 top rail.
- Side and bottom areas of the Barrett handguard offers several positions for mounting rail sections or accessories.
- The chamber and bore of the barrel are chrome plated, as is the bore of the gas block.
- The gas block houses the gas plug and offers additional mounting space for the front sight.
- The gas plug offers 2 positions - S = Suppressed (**FIGURE 2-1**) (for when a suppressor is mounted), U = Unsuppressed (**FIGURE 2-2**). Operating the REC7 without a suppressor with the gas plug in the suppressed position may adversely affect reliability. Conversely operating the REC7 with a suppressor with the gas plug in the unsuppressed position may cause unnecessary wear from over speeding the action.



Suppressed



Unsuppressed

- Standard suppressor mounts attach via the muzzle threads (1/2-28" on 5.56mm and 5/8-24" on 6.8mm) under the muzzle device.

BREAK-IN PROCEDURE

Barrett does not offer a specific procedure for barrel break-in other than checking for obstructions and using your new rifle.

Experience has shown that the bore becomes less prone to fouling over time and that accuracy may improve with use. Ensure that the rifle is adequately lubricated and follow the loading/unloading and safety procedures when operating your rifle.

⚠ WARNING ⚠
POINT MUZZLE IN A SAFE DIRECTION.

LOADING

1. Insert a loaded magazine fully into the magazine well. Insert the magazine until the magazine catch engages and holds the magazine. Tap the magazine upward to ensure the magazine is fully seated, then pull down on the magazine to ensure proper retention (**FIGURE 3**).

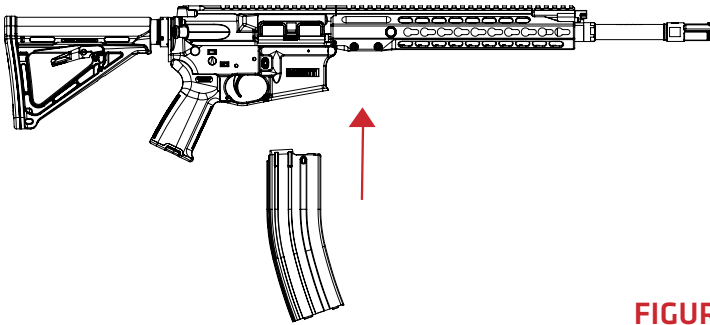
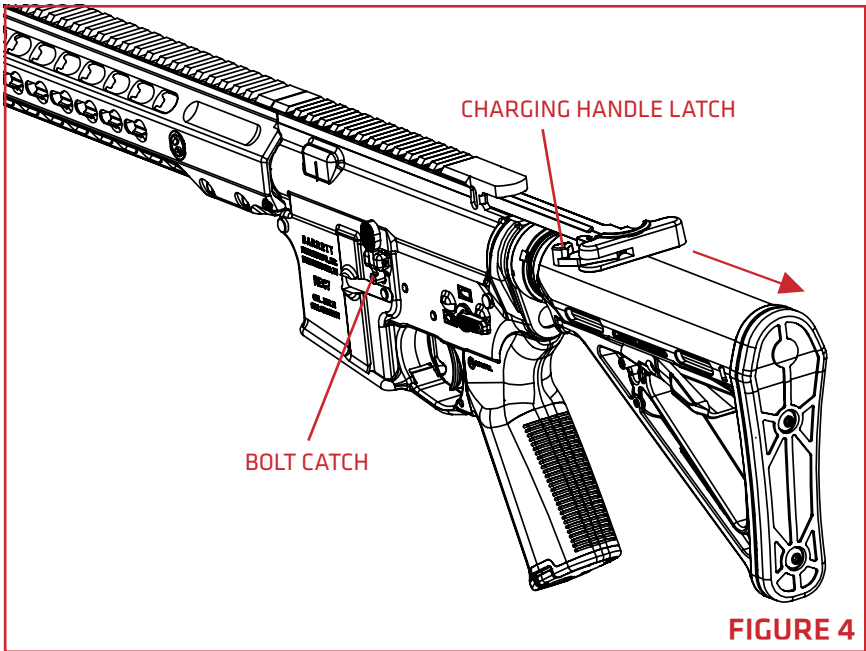
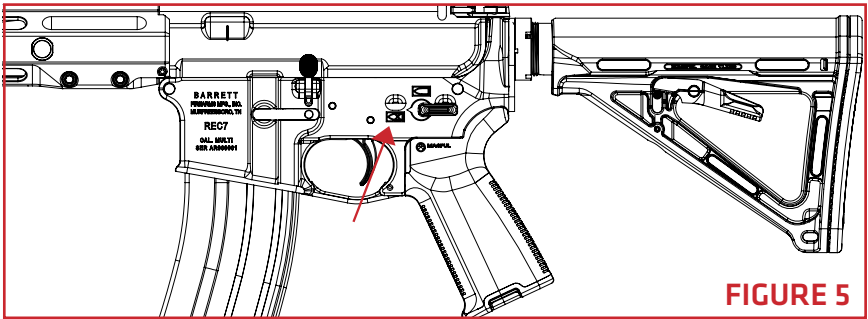


FIGURE 3

2. Before pulling the charging handle, disengage the charging handle latch with index finger on left side of handle. Pull charging handle back with thumb and index fingers. Once the charging handle is in the rearward most position, release handle with both fingers and let the handle go forward without any assistance. This will ensure the full force of the buffer spring is utilized to chamber the first round (**FIGURE 4**).



3. Place safety selector switch to SAFE position until ready to operate (**FIGURE 5**).



NOTE: THE HAMMER MUST BE COCKED IN ORDER FOR THE SELECTOR TO BE PLACED ON "SAFE".

FIRING

Move the selector switch to FIRE to enable trigger movement (**FIGURE 6**).

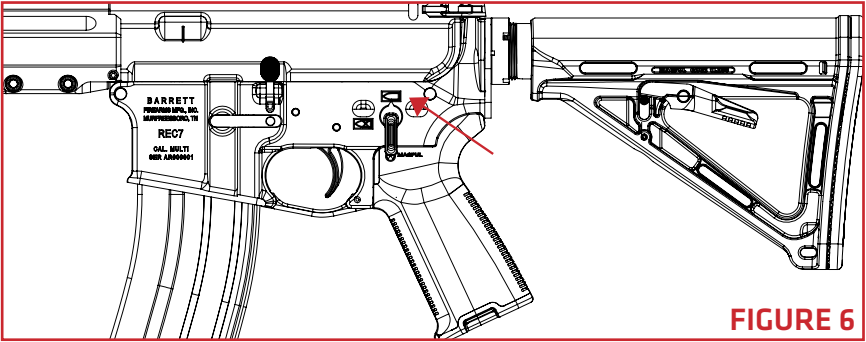


FIGURE 6

UNLOADING AND CLEARING

1. Place the selector switch on SAFE (**FIGURE 7**).

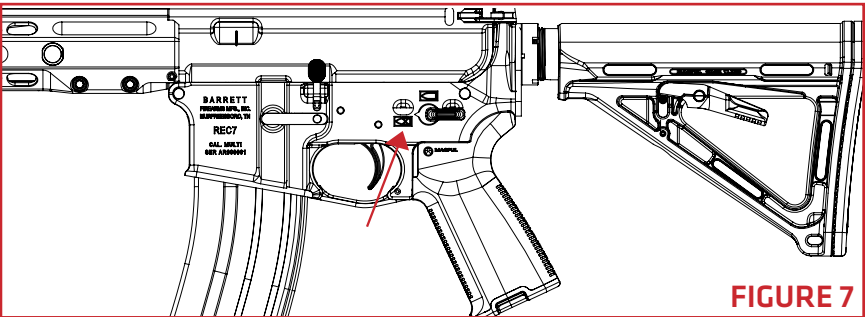


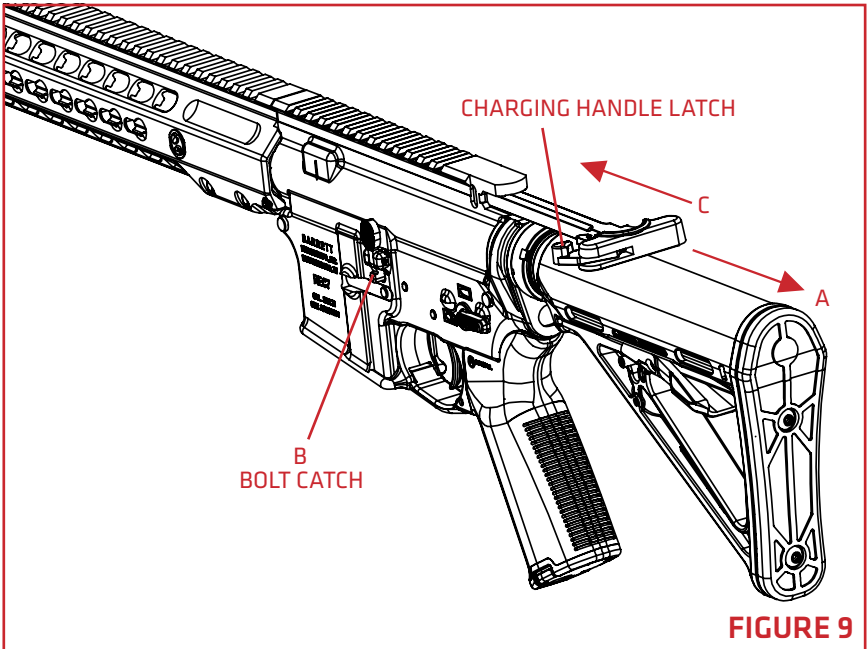
FIGURE 7

2. Remove the magazine by depressing the magazine release button and allowing it to fall free (**FIGURE 8**).

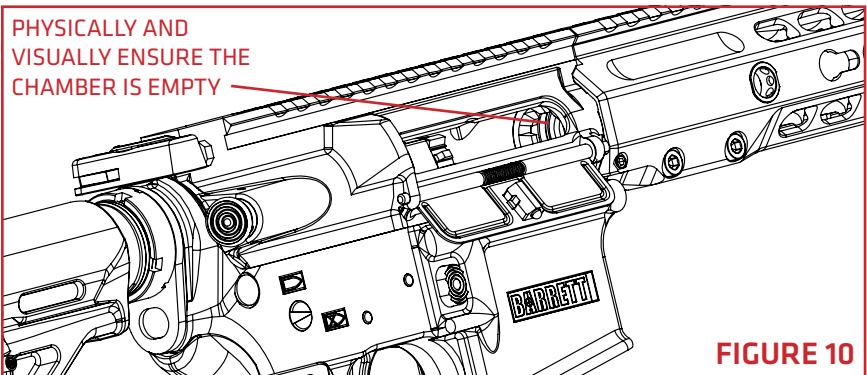


FIGURE 8

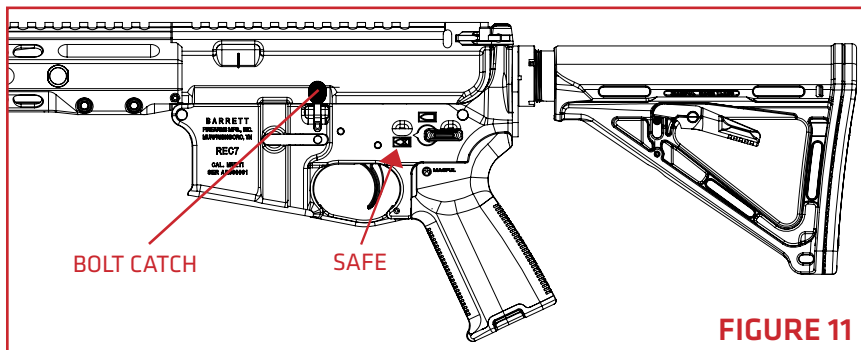
- To lock the bolt open, pull the charging handle rearward to hold the bolt carrier to the rear (**FIGURE 9-A**). While holding the charging handle rearward, depress the bottom of the bolt catch (**FIGURE 9-B**). Release tension on the charging handle and ensure the bolt is held open. Push the charging handle forward until it latches (**FIGURE 9-C**).



- Use caution by visually and physically inspecting the chamber and magazine well to ensure that it is empty (**FIGURE 10**).



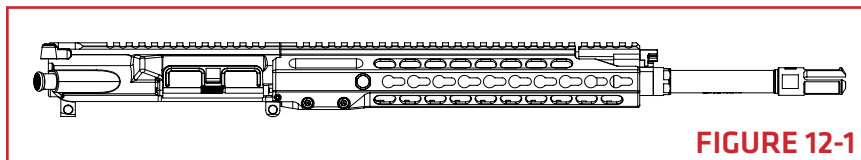
5. Place the selector switch on SAFE. Press the upper portion of the bolt catch to allow the bolt assembly to close. Repeat steps 3-5 to ensure rifle is unloaded and cleared (**FIGURE 11**).



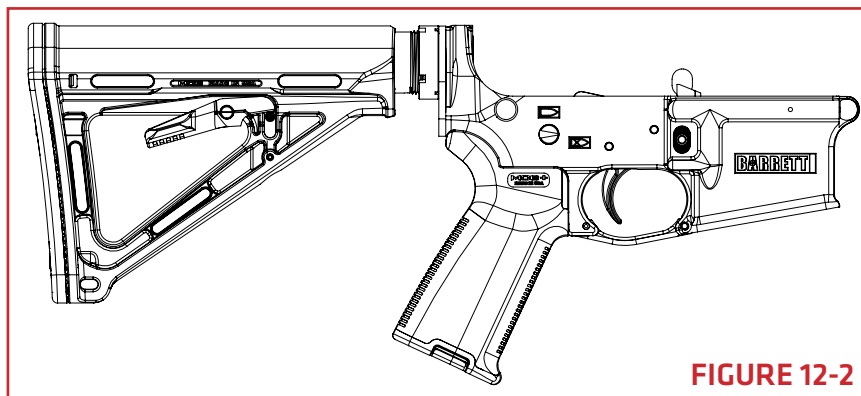
DISASSEMBLY AND ASSEMBLY

This rifle separates into two primary assemblies:

1. The upper assembly (**FIGURE 12-1**).



2. The lower assembly (**FIGURE 12-2**).



SEPARATING THE UPPER AND LOWER ASSEMBLIES

1. Ensure rifle is unloaded and clear by following the steps in the previous section. With the safety on and bolt closed, push the takedown pin (rear most pin) until it clears its detent and stops (FIGURE 13). Takedown pins are captured and cannot be removed. Push the pivot pin (forward most pin) until it clears its detent and stops. Separate the upper and lower receivers.

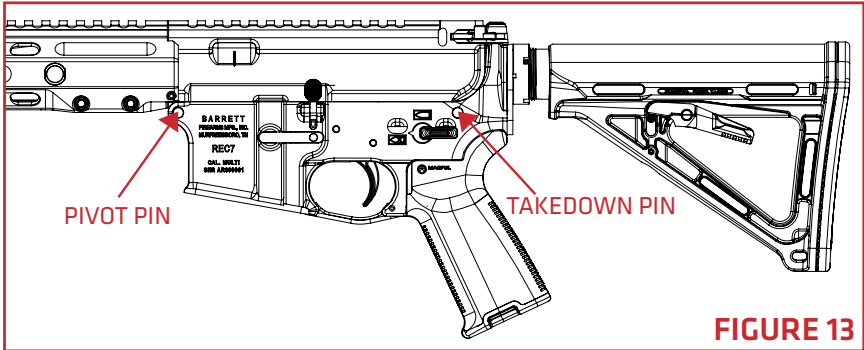


FIGURE 13

DISASSEMBLY OF UPPER RECEIVER COMPONENTS

1. Pull back the charging handle and withdraw the bolt carrier assembly (FIGURE 14).
2. Lift the charging handle out of its track and remove it.

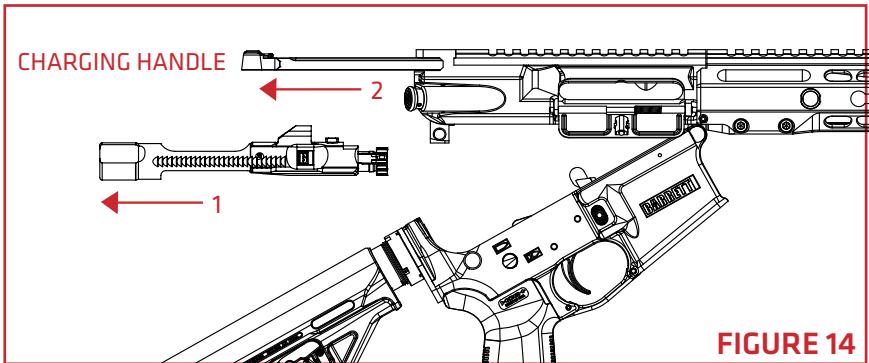
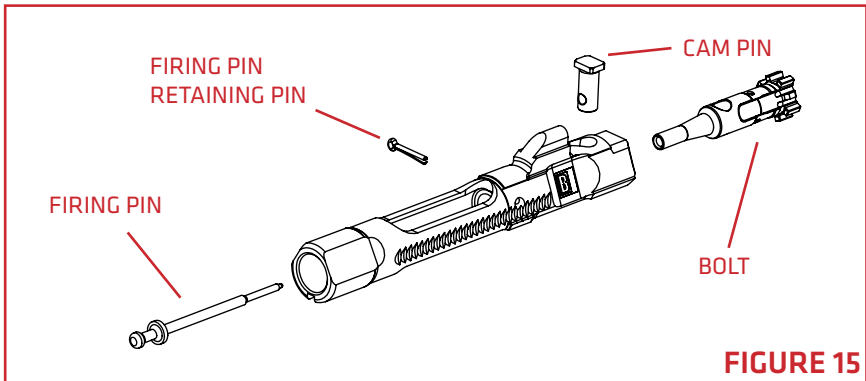


FIGURE 14

DISASSEMBLY OF THE BOLT CARRIER

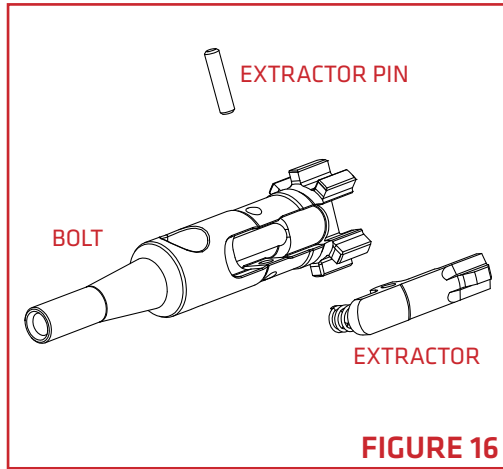
1. Remove the firing pin retaining pin from the bolt carrier. Gently push or pull the pin out of the bolt carrier.
2. Remove the firing pin from the bolt carrier. Using a clean soft surface, lightly strike the rear of the bolt carrier to assist in removal. (Never use a sharp object to push the firing pin out of the bolt)
3. To remove cam pin, rotate and push the bolt into the bolt carrier. Cam pin should extract by hand.
4. Remove bolt assembly from the bolt carrier.



BOLT DISASSEMBLY

NOTE: DISASSEMBLY OF THE EXTRACTOR SPRING AND INSERT FROM THE EXTRACTOR ASSEMBLY IS NOT REQUIRED FOR REGULAR CLEANING AND IS NOT RECOMMENDED. DISASSEMBLE ONLY WHEN EXCESSIVE DEBRIS PREVENTS NORMAL OPERATION OR PARTS ARE DAMAGED.

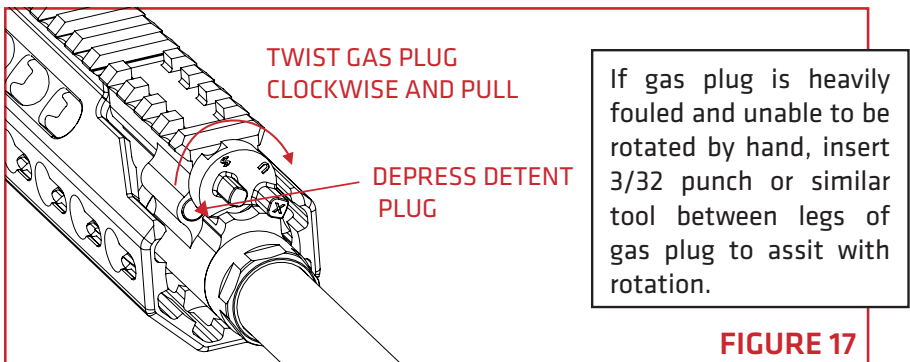
1. Use a pin punch to remove the extractor pin. Applying pressure to the rear of the extractor directly above the extractor spring will aid in removal of extractor pin. Be aware that the extractor spring and extractor are under compression.
2. Remove the extractor assembly (**FIGURE 16**).
3. Further disassembly of the bolt is not necessary for field maintenance.



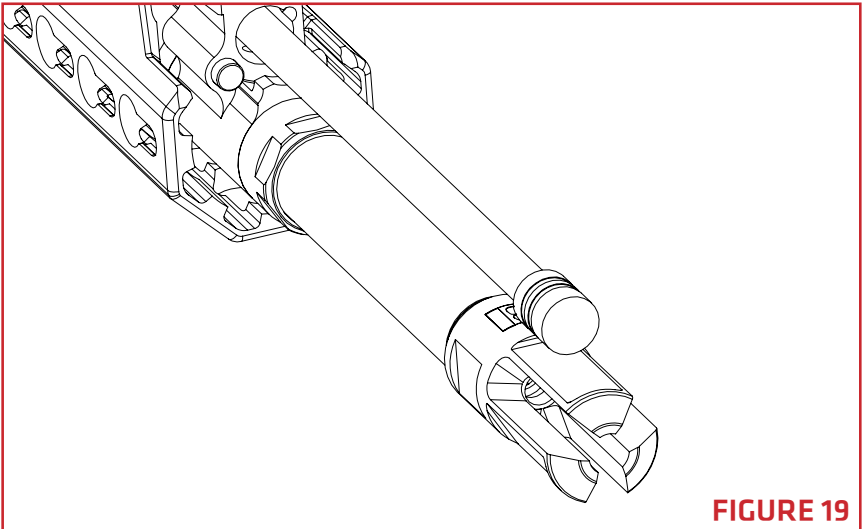
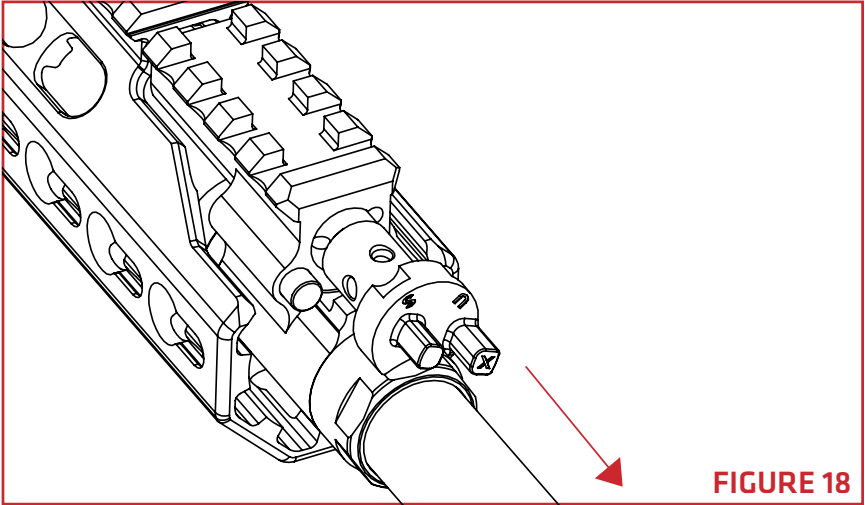
DISASSEMBLY OF PISTON SYSTEM

NOTE: DISASSEMBLE THE SPRING FROM THE GAS PISTON ONLY WHEN EXCESSIVELY DIRTY OR DAMAGED

1. Note the orientation of the gas plug before disassembly. Re-installation of the gas plug for Unsuppressed operation requires that the gas plug be rotated to the second detent position.
2. Depress gas plug detent pin against spring pressure and rotate the gas plug until the plug notch aligns with gas block shoulder (**FIGURE 17**). Note that carbon buildup may cause sticking of the gas plug. Working the gas plug back and forth with the detent pin depressed against spring pressure will allow the gas plug to be removed.



3. The gas plug and piston are now free to be removed. Remove gas plug from gas block and tilt gun muzzle down (**FIGURE 18**). Gas piston should fall free through front of the gas block (**FIGURE 19**).



DISASSEMBLY OF LOWER RECEIVER

⚠ CAUTION ⚠

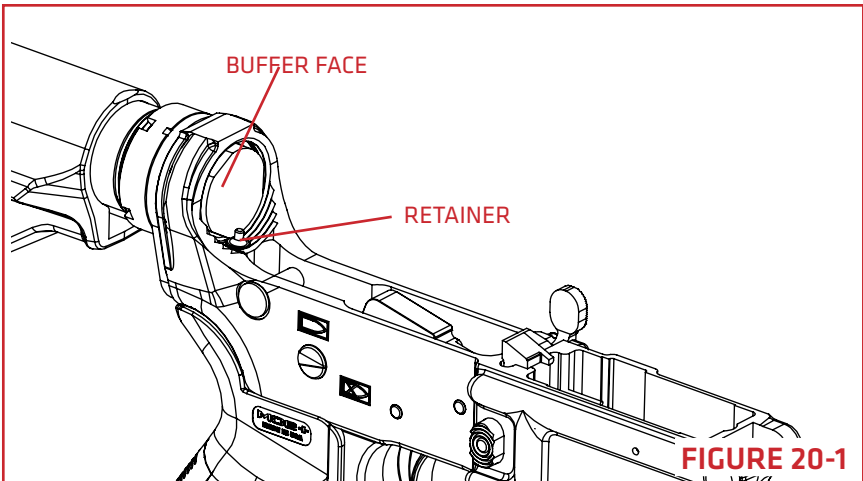
THE DISASSEMBLY OF TRIGGER COMPONENTS SHOULD BE ACCOMPLISHED BY A QUALIFIED ARMORER.

⚠ CAUTION ⚠

THE BUFFER RETAINER IS UNDER STRONG SPRING PRESSURE. IF NOT PROPERLY RETAINED, IT CAN BE LAUNCHED FROM ITS TUBE AND CAUSE INJURY.

NOTE: DO NOT PULL TRIGGER WHILE LOWER IS DISASSEMBLED FROM THE UPPER. THE HAMMER WILL STRIKE THE RECEIVER AND MAY DAMAGE OR BREAK THE RECEIVER AND/OR BOLT CATCH.

1. Push on the buffer face with finger pressure while holding the retainer down with a suitable tool (**FIGURE 20-1**). Carefully remove the buffer and spring assembly (**FIGURE 20-2**).



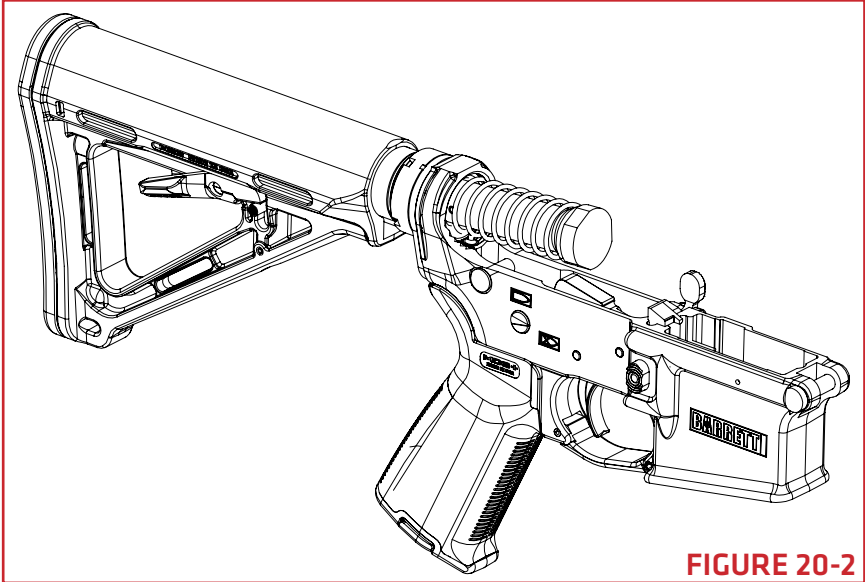


FIGURE 20-2

CLEANING AND LUBRICATION

⚠ WARNING ⚠

UNLOAD AND CLEAR THE RIFLE BEFORE CLEANING.

⚠ CAUTION ⚠

DO NOT INSERT CLEANING RODS THROUGH MUZZLE. THE BARREL CROWN COULD BE DAMAGED WHICH WOULD SEVERELY DEGRADE THE ACCURACY OF THE RIFLE.

⚠ CAUTION ⚠

EYE PROTECTION IS RECOMMENDED WHILE CLEANING.

CLEANING PROCEDURE

The rifle should be cleaned and lubricated after each shooting session.

1. Apply cleaning solvent to a chamber brush and clean the chamber.

2. Apply cleaning solvent to a bore brush and clean the bore. Barrett Heavy Bore Cleaner is recommended. Clean bore from the chamber end of barrel to prevent damage to the muzzle.
3. Clean the muzzle device with a stiff plastic brush and bore solvent. It is best to clean the muzzle device at the same time the barrel is being cleaned as the bore solvent will help loosen carbon build-up on its interior walls.
4. Clean the bolt face with bore solvent. Use a stiff plastic brush to remove debris from both the extractor and the ejector. Depress the ejector and extractor by hand to test their smooth function.
5. Use dry patches as necessary to remove cleaner from the bore and chamber.
6. Clean the remainder of the rifle with cotton-tipped swabs, general purpose brushes and cleaning cloths.

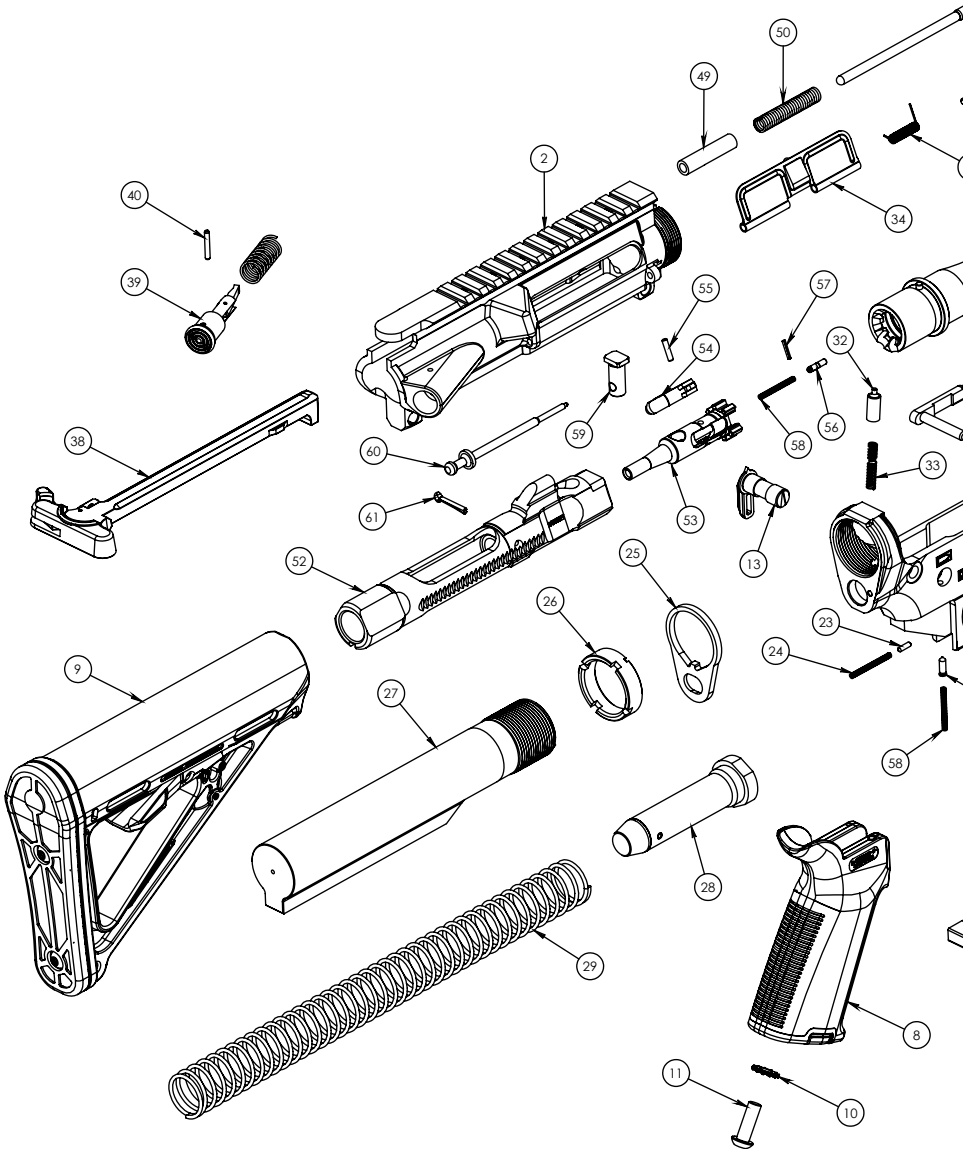
TROUBLESHOOTING

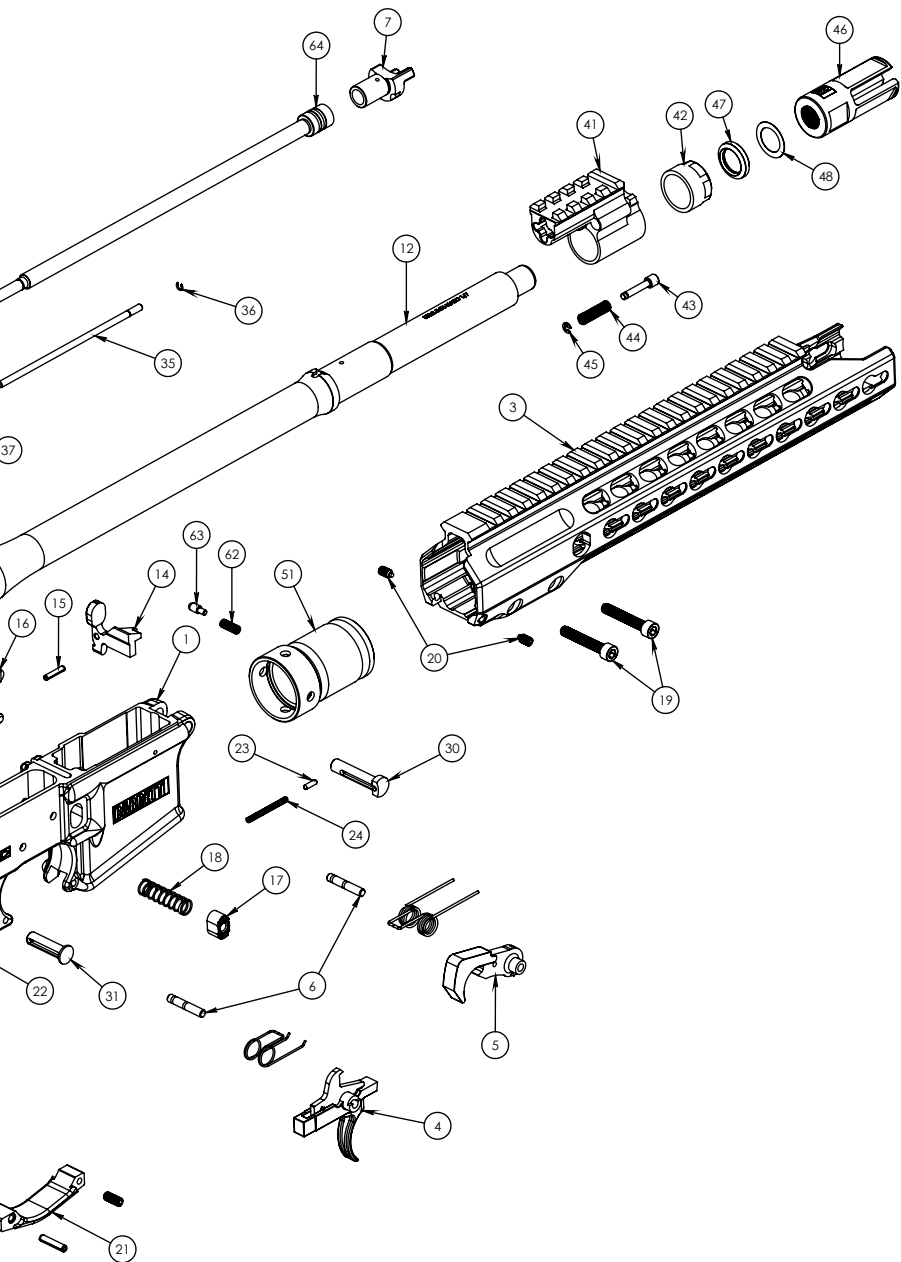
MALFUNCTION	CAUSE	CORRECTIVE ACTION
FAILURE TO FEED	Did not draw bolt carrier fully to rear	Retract bolt carrier fully to the rear
	Magazine not seated	Seat magazine
	Damaged magazine	Replace or repair magazine
FAILURE TO CHAMBER	Damaged cartridge	Remove and replace cartridge
	Dirty or obstructed chamber	Clean chamber
FAILURE TO GO INTO OR OUT OF BATTERY	Dislodged primer in barrel extension	Disassemble, clean, replace firing pin if necessary
		Ensure proper installation
FAILURE TO FIRE	Faulty ammunition	Replace ammunition
	Obstructed or damage firing pin	Disassemble and clear obstruction

TROUBLESHOOTING

MALFUNCTION	CAUSE	CORRECTIVE ACTION
FAILURE TO EXTRACT	Broken or worn extractor	Replace extractor
	Broken or worn extractor spring	Replace extractor spring
	Extractor not moving freely	Clean extractor, extractor spring, and recess
	Dirty ammunition or chamber	Clean chamber and insure ammunition is clean
	Broken case rim	Clear chamber
FAILURE TO EJECT	Broken or worn ejector	Replace ejector
	Broken or worn ejector spring	Replace ejector spring
	Ejector not moving freely	Clean ejector, ejector spring, and recess

EXPLODED VIEW





PARTS LIST

ITEM NO.	DESCRIPTION
33	BUFFER RETAINER SPRING
34	EJECTION PORT COVER
35	EJECTION PORT COVER HINGE PIN
36	HINGE PIN CLIP
37	EJECTION PORT COVER SPRING
38	CHARGING HANDLE
39	FORWARD ASSIST ASSEMBLY W/ SPRING
40	FORWARD ASSIST RETENTION PIN
41	GAS BLOCK
42	GAS BLOCK NUT
43	GAS PLUG DETENT PIN
44	DETENT PIN SPRING
45	GAS PLUG DETENT CLIP
46	MUZZLE DEVICE
47	SHIM (IF REQUIRED)
48	GRUSH WASHER
49	PISTON BUSHING
50	GAS PISTON RETURN SPRING
51	BARREL NUT
52	BOLT CARRIER
53	BOLT
54	EXTRACTOR W/ SPRING, DAMPER
55	EXTRACTOR PIN
56	EJECTOR
57	EJECTOR PIN
58	EJECTOR/SAFETY DETENT SPRING
59	CAM PIN
60	FIRING PIN
61	FIRING PIN RETAINING PIN
62	BOLT CATCH SPRING
63	BOLT CATCH PLUNGER
64	PISTON

ITEM NO.	DESCRIPTION
1	LOWER RECEIVER
2	UPPER RECEIVER
3	HANDGUARD
4	TRIGGER W/ SPRING
5	HAMMER W/ SPRING
6	HAMMER/TRIGGER PIN
7	GAS PLUG
8	PISTOL GRIP
9	BUTTSTOCK
10	LOCK WASHER
11	PISTOL GRIP SCREW
12	BARREL COMPLETE
13	SAFETY SELECTOR
14	BOLT CATCH
15	BOLT CATCH PIN
16	MAGAZINE CATCH
17	MAGAZINE RELEASE BUTTON
18	MAGAZINE CATCH SPRING
19	HANDGUARD CROSS BOLT
20	SET SCREW. #8-32, BRASS TIP
21	TRIGGER GUARD
22	SAFETY DETENT
23	TAKEDOWN DETENT
24	TAKEDOWN DETENT SPRING
25	RECEIVER EXTENSION END PLATE
26	RECEIVER EXTENSION NUT
27	RECEIVER EXTENSION
28	BUFFER ASSEMBLY
29	BUFFER SPRING
30	FRONT PIVOT/TAKEDOWN PIN
31	REAR TAKEDOWN PIN
32	BUFFER RETAINER



P.O. Box 1077
Murfreesboro, TN 37133 USA
615.896.2938
615.896.7313 fax
barrett.net